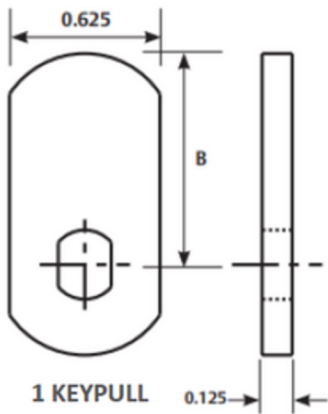
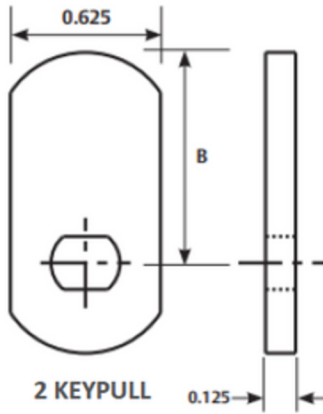


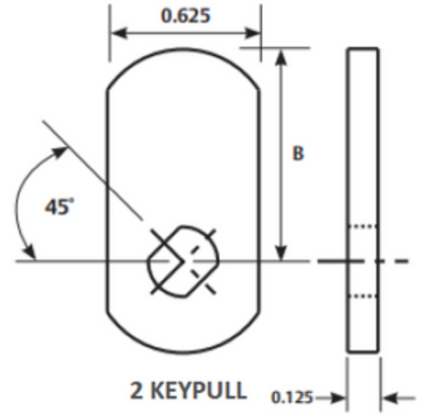
CT-A Series
Parallel Mounting



CT-D Series
Perpendicular Mounting



CT-C Series
45° Angle Mounting



B LENGTH	PART#			B LENGTH	PART#			B LENGTH	PART#		
5/8"	CT-A00			5/8"	CT-D00			5/8"	CT-C00		
3/4"	CT-A01			3/4"	CT-D01			1"	CT-C03		
7/8"	CT-A02			7/8"	CT-D02			1-1/8"	CT-C04		
1"	CT-A03			1"	CT-D03			1-1/4"	CT-C05		
1-1/8"	CT-A04			1-1/8"	CT-D04			1-3/4"	CT-C09		
1-1/4"	CT-A05			1-1/4"	CT-D05			1-5/8"	CT-C08		
1-3/8"	CT-A06			1-3/8"	CT-D06			2"	CT-C11		
1-5/8"	CT-A08			1-5/8"	CT-D08						
1-1/2"	CT-A07			1-1/2"	CT-D07						
1-3/4"	CT-A09			1-3/4"	CT-D09						
2"	CT-A11			2"	CT-D11						
2-1/8"	CT-A12			2-1/8"	CT-D12						
				3"	CT-D19						

KEYPULL INFORMATION

- 119 One flat side, one keypull
- 129 One flat side, two keypulls
- 219 Two flat side, one key pull (12)
- 229 Two flat side, two key pulls (12 & 3)
- 239 Two flat side, one keypull
Flipped camstop (ccwise) (12 & 9)
- 249 Two flat side, two keypulls
Flipped camstop (ccwise) (12 & 9)
- 259
- 269 180 degree, two keypulls (12 & 6)

One keypull—you can take the key out in locked position
Two keypull—you can take the key out in locked and unlocked position

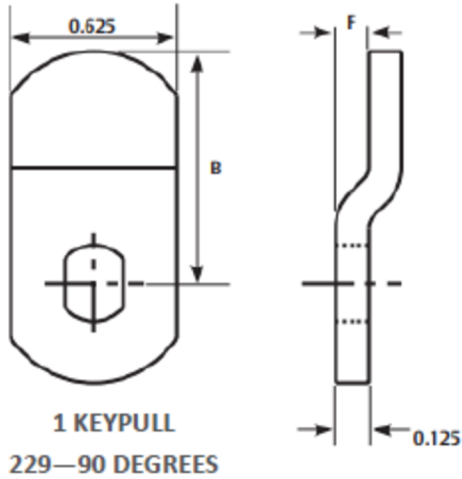
Hole Prep #1 Vertical Mounting Flats	Key Retaining		Two Key Pull	
	Locked: 12:00 or 6:00 90 Degree Turn Cam Series: A, H, G & K (Type 1)	Locked: 3:00 or 9:00 90 Degree Turn Cam Series: D, J, G & K (Type 2)	Locked: 12:00 or 6:00 90 Degree Turn Cam Series: C, P, S	
	Code: 239 	Code: 239 	Code: 249 	Code: 229
Locked Positions 	Locked: 12:00 or 6:00 180 Degree Turn Cam Series: A, H, G & K (Type 1) Code: 279 	Locked: 3:00 or 9:00 180 Degree Turn Cam Series: D, J, G & K (Type 2) Code: 279 	Locked: 3:00 or 9:00 90 Degree Turn Cam Series: C, P, S Code: 249 	Code: 229

OFFSET CAMS

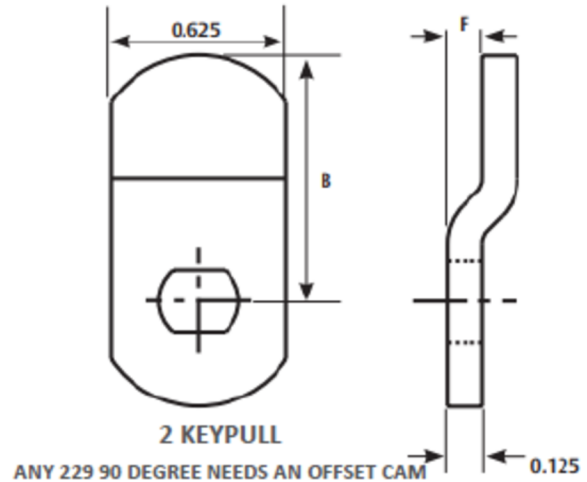
PARALLEL & PERPENDICULAR MOUNTINGS



CT-H Series Parallel Mounting

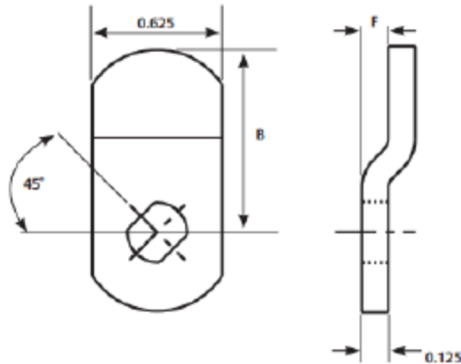


CT-J Series Perpendicular Mounting

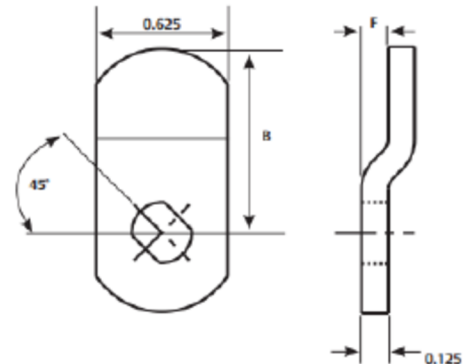


B LENGTH	F- OFF	PART#				B LENGTH	F- OFF	PART#			
7/8"	5/32"	CT-H27				1"	1/8"	CT-J05			
1"	1/8"	CT-H08				1-1/8"	1/8"	CT-J06			
1-1/8"	1/8"	CT-H09				1-1/8"	5/32"	CT-J22			
1-1/8"	5/32"	CT-H26				1-1/8"	7/32"	CT-J01			
1-1/8"	7/32"	CT-H07				1-1/8"	5/16"	CT-J13			
1-1/8"	5/16"	CT-H16				1-1/4"	1/8"	CT-J07			
1-1/4"	1/8"	CT-H00				1-1/4"	5/32"	CT-J00			
1-1/4"	5/32"	CT-H28				1-1/4"	7/32"	CT-J12			
1-1/4"	7/32"	CT-H15				1-1/4"	5/16"	CT-J14			
1-1/4"	5/16"	CT-H17				1-1/2"	1/8"	CT-J04			
1-1/2"	1/8"	CT-H14				1-1/2"	5/16"	CT-J27			
1-1/2"	7/32"	CT-H14				1-3/4"	1/8"	CT-J09			
1-1/2"	5/16"	CT-H32				1-3/4"	5/16"	CT-J16			
1-3/4"	1/8"	CT-H11				1-5/8"	1/8"	CT-J08			
1-5/8"	1/8"	CT-H10				1-5/8"	5/16"	CT-J15			
1-5/8"	5/16"	CT-H18				1-5/8"	7/32"	CT-J19			
1-5/8"	7/32"	CT-H22				2"	5/16"	CT-J17			
2-1/8"	5/16"	CT-H21				2-1/8"	1/8"	CT-J11			
						2-1/8"	5/16"	CT-J18			

CT-P Series
45° Angle Mounting

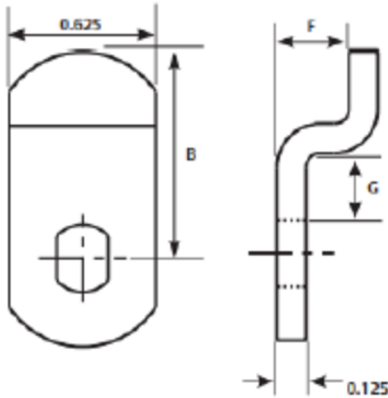


CT-S Series
45° Angle Mounting



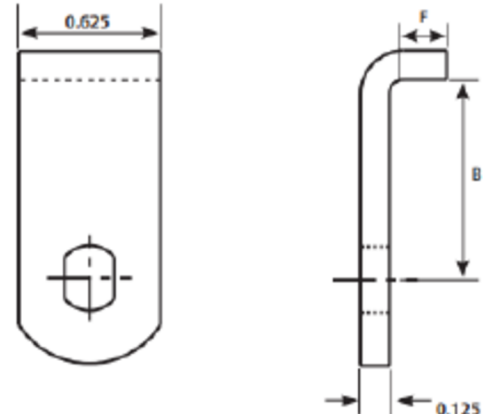
B LENGTH	F- OFF	PART#			B LENGTH	F- OFF	PART#			
7/8"	5/32"	CT-P18			7/8"	5/32"	CT-S18			
1"	1/8"	CT-P09			1"	1/8"	CT-S09			
1-1/8"	5/16"	CT-P17			1-1/16"	5/16"	CT-S01			
1-1/4"	1/8"	CT-P03			1-1/8"	1/8"	CT-S10			
1-1/4"	5/32"	CT-P27			1-1/8"	5/32"	CT-S02			
1-1/4"	7/32"	CT-P16			1-1/8"	7/32"	CT-S08			
1-1/4"	5/16"	CT-P00			1-1/8"	5/16"	CT-S17			
1-1/2"	5/16"	CT-P30			1-1/4"	1/8"	CT-S03			
1-5/8"	5/16"	CT-P19			1-1/4"	5/32"	CT-S27			
1-5/8"	7/32"	CT-P23			1-1/4"	7/32"	CT-S16			
1-3/4"	5/16"	CT-P20			1-1/4"	5/16"	CT-S00			
2-1/8"	5/16"	CT-P23			1-5/16"	7/32"	CT-S04			
					1-5/16"	31/64"	CT-S05			
					1-1/2"	1/8"	CT-S31			
					1-1/2"	7/32"	CT-S15			
					1-1/2"	5/16"	CT-S30			
					1-5/8"	1/8"	CT-S11			
					1-5/8"	5/16"	CT-S19			
					1-5/8"	7/32"	CT-S23			
					1-5/8"	5/32"	CT-S28			
					1-3/4"	1/8"	CT-S12			
					1-3/4"	5/32"	CT-S07			
					1-3/4"	7/32"	CT-S29			
					1-3/4"	5/16"	CT-P20			
					2"	5/32"	CT-S06			
					2"	7/32"	CT-S26			
					2"	5/16"	CT-S21			
					2-1/8"	1/8"	CT-S14			
					2-1/8"	5/16"	CT-S23			
					2-1/8"	5/32"	CT-S25			
					2-1/2"	1/8"	CT-S24			
					2-5/8"	7/32"	CT-S33			

CT-G Series
Parallel, Perpendicular and 45° Angle
(Note type listed below)



1 KEYPULL

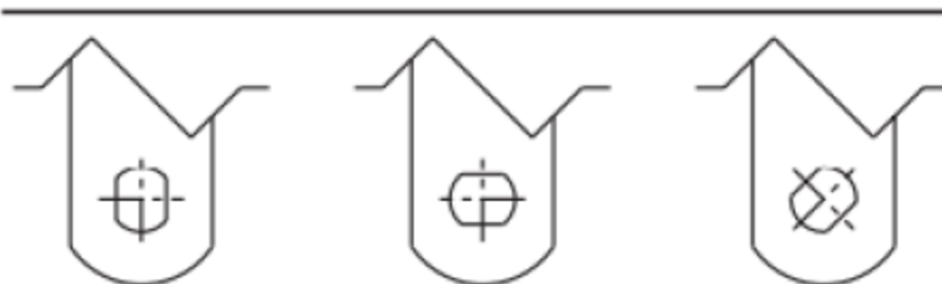
CT-K Series - 90° Bent Cam
Parallel, Perpendicular and 45° Angle
(Note type listed below)



2 KEYPULL

B LENGTH	F- OFF	TYPE	PART#			B LENGTH	F- OFF	TYPE	PART#		
7/8"	5/16"	1	CT-G09			11/16"	7/16"	1	CT-K02		
1-1/4"	9/16"	1	CT-G03			3/4"	5/8"	1	CT-K05		
1-1/4"	9/16"	3	CT-G99			15/16"	3/8"	1	CT-K01		
1-1/2"	9/16"	1	CT-G08								

G-Series and K-Series
CAM MOUNTING TYPES



TYPE 1
PARALLEL

TYPE 2
PERPENDICULAR

TYPE 3
45° OFFSET