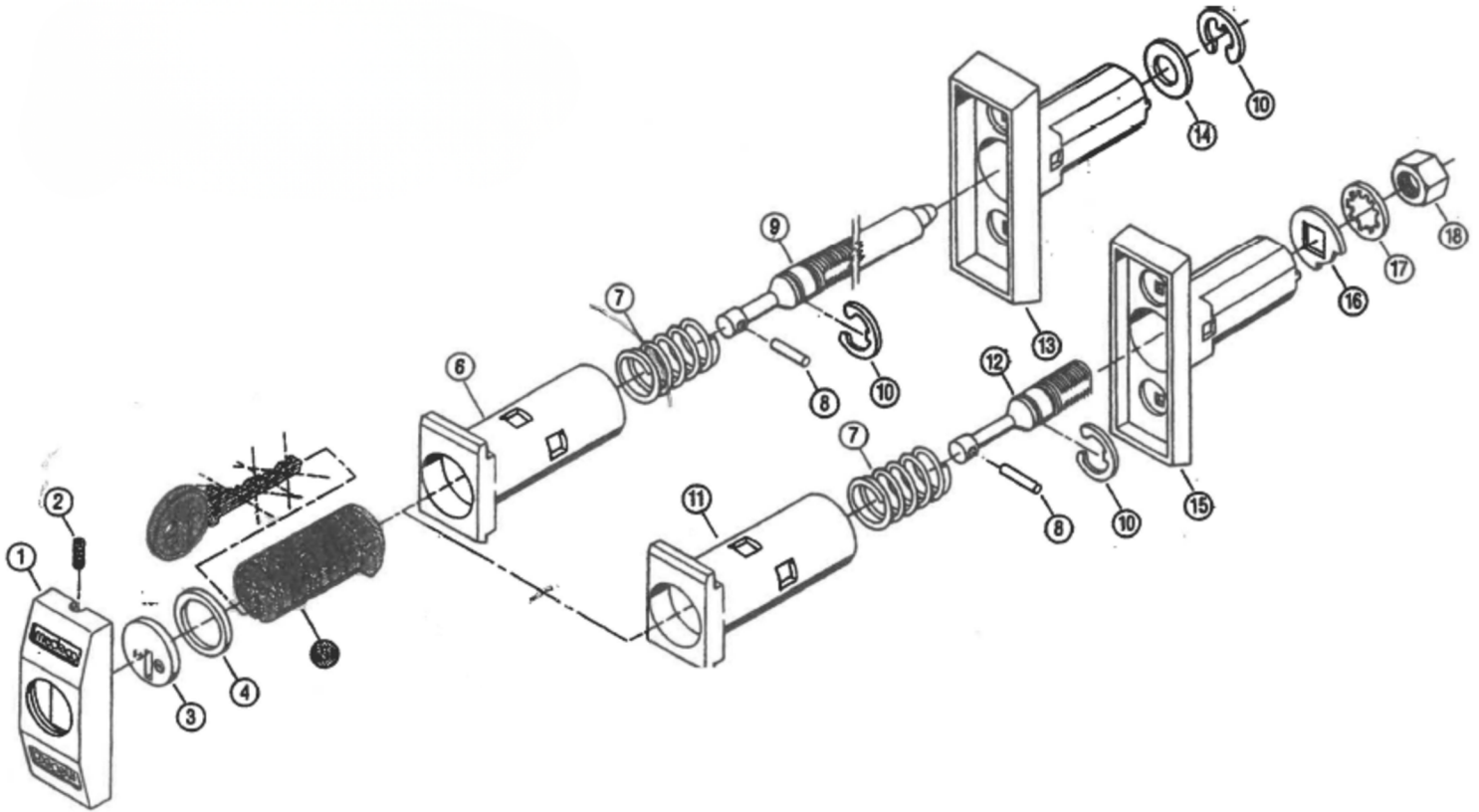


# medeco®

## HIGH SECURITY T-HANDLE

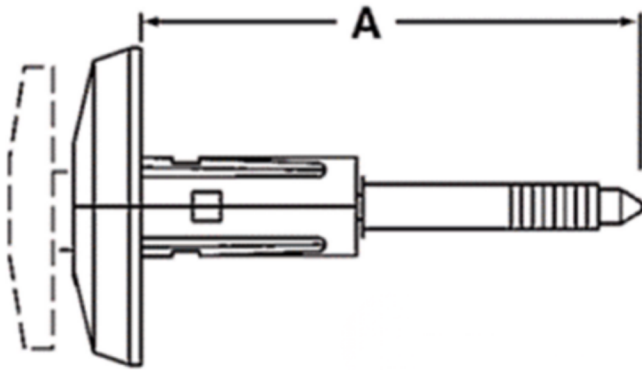


### COMPONENT PART NUMBERS

1	Cylinder Front	CP-281601	10	Retaining Clip	CP-020110
2	8-32 X 3/8 Screw Set	CP-012413-060	11	Cylinder Housing – Cam Type	CP-282900
3	Hardened Protector Plate	CP-180261	12	Cam Type Extension	As Required
4	Spacing Washer	CP-040710	13	Standard Housing	CP-282930
6	Cylinder Housing Screw Type	CP-281400	14	Flat Washer	CP-040630
7	Compression Spring	CP-030027	15	Low Housing Profile	CP-282920
8	Guide Pin	CP-064421	16	90o Stop Washer	CP-040880
9	Screw Type Extension	As Required	15	Lock Washer	CP-040040
			18	½ - 13 THD Hex Nut	CP-050170

# medeco®

## HIGH SECURITY T-HANDLE SCREW TYPE SHAFT DIMENSIONS



To obtain the A Dimension on your screw-type T-Handle shaft, measure from the flat back of the Insert to the tip of the screw as pictured.

<b>Medeco Shafts</b>	<b>"A" Dimension</b>	<b>Actual Dimension</b>
CTM38 (64-3011-505)	5 5/8"	4 3/8"
CTM45	9 5/8"	8 7/8"
CTM48	7 1/4"	6 1/2"
CTM76	3 5/8"	2 5/8"
CTM77 (64-3011-401)	4 7/8"	3 3/4"
CTM78 (64-3011-406)	4 1/4"	3"
CTM79	3 5/8"	2 1/2"
CTM81 (64-3011-906)	9 1/8"	8"
CTM82 (64-3011-607)	6 1/4"	5 1/8"
CTM83	4 7/8"	3 3/4"
CTM84	3 5/8"	2 1/2"